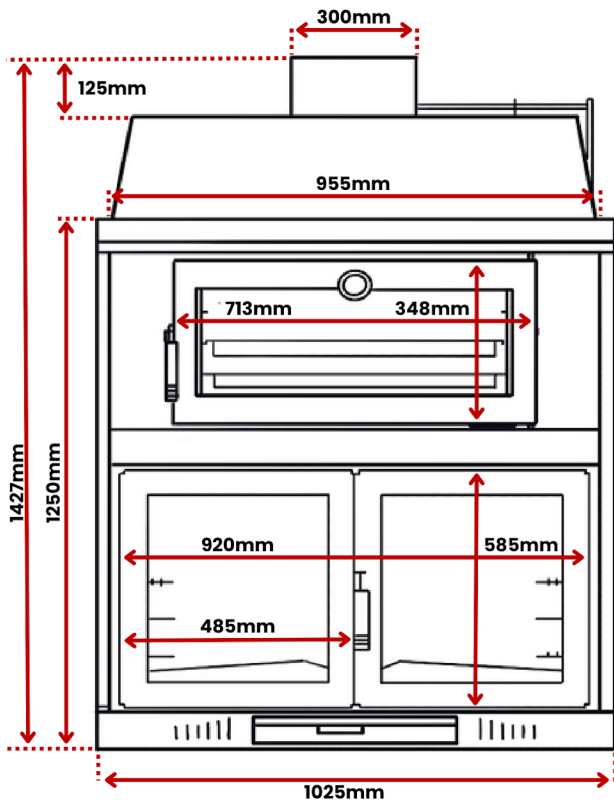




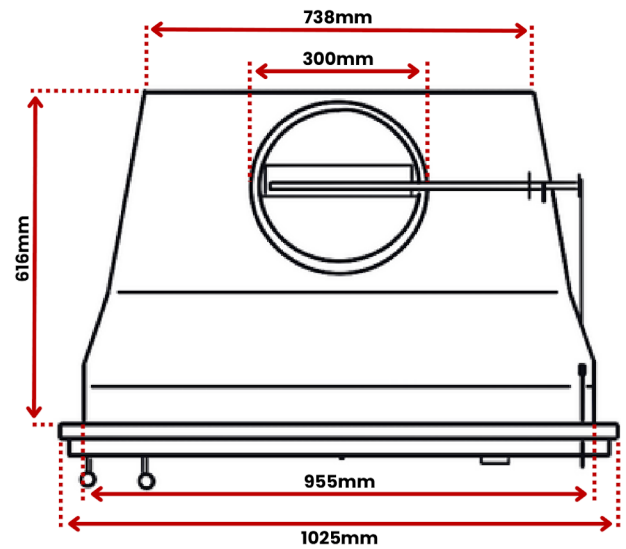
Combining the warmth and charm of a slow combustion fireplace with the convenience of a built-in oven, the BH 100 Oven brings your kitchen to your backyard for full scale outdoor living.

Handcrafted in Spain with high-quality materials, this versatile outdoor appliance is built to withstand the test of time.

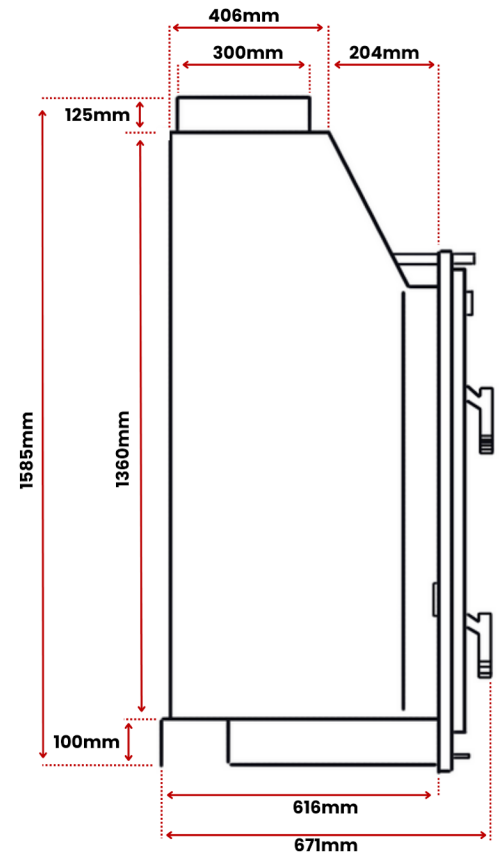
FRONT



TOP



SIDE



MATERIAL	High Quality Welded Steel
AIRFLOW	Dual airflow control (top damper & bottom air slide)
FINISH	Black High Temperature Paint
WEIGHT	182kg
INCLUSIONS	Precision Temperature Guage Vitroc ceramic Glass Doors Removable Ash Tray Drawer Stainless Steel BBQ Grill Stainless steel tray (600mm x 400mm) Additional Paint Can Heat Resistant Glove